



Building Division

525 N 3rd Ave, Pasco, WA 99301

P: 509.543.5726

www.pasco-wa.gov | permittech@pasco-wa.gov

Storage Shed Construction Details

This handout is designed to assist the public in describing the construction details of a shed for the purposes of obtaining a building permit. A site plan will also be required to show us where the shed will be located on your property.

The City of Pasco REQUIRES a permit for all sheds, no matter the size.

You may use this handout if your shed is (1) Less than 200 square feet AND (2) Less than 10 feet in height. For larger structures you must provide a complete set of construction details. If you are purchasing a Pre-Manufactured shed please simply provide us with a copy of the installation manual or brochure.

NOTE: ALL sheds must be anchored to the ground AND siding & roofing must be similar to that of the house.

Fill In The Blanks:

Cannot be used as habitable space. Cannot be heated or cooled.

a. Width 12ft Length 16ft Height 13ft 7in

b. Foundation (circle one):

- (1) Concrete Slab
(2) Wood Foundation (minimum 4X6 PT)
(3) Gravel Floor
(4) Concrete Block
(5) Other

c. Framing Material (circle one):

2 X 4 2X6 2X8 Other

d. Stud Spacing (circle one):

16" 24" Other

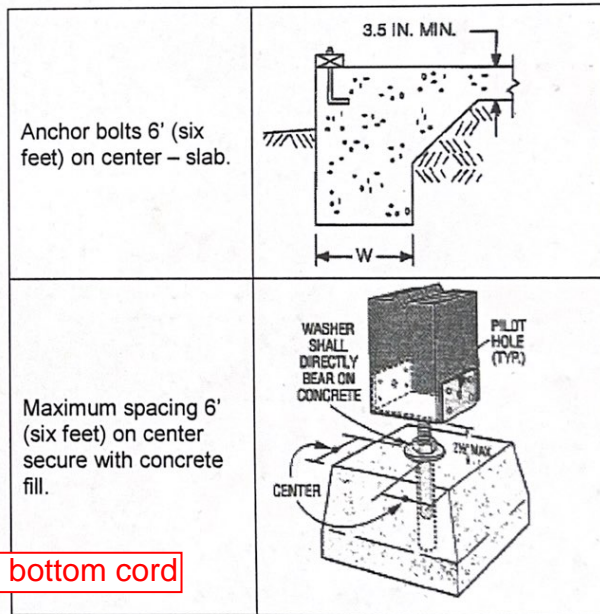
e. Will you use (circle one):

Pre-Manufactured Trusses OR Rafters?

Rafter Size: 2 X 4 2X6 2X8 Other

Rafter Spacing: 16" 24" Other

2x6 bottom cord



Provide 2x4 collar tie in bottom 1/3 of attic space. Provide positive mechanical connectors for wall to rafter connection.

f. Siding Type: LP Smart Siding

g. Type of Roofing: Shingles

h. Door size: 72 x 78 & location: front Man Door OR Roll up?

i. Window: 18 x 27 in & location: side